

# PDC 600/700

Automatic Double-Clippers



innovative · reliable · leading

**poly-clip**<sup>®</sup>  
SYSTEM

# PDC 600/700

- 2 machine sizes for different product ranges:  
PDC 600 for calibres up to 80 mm  
PDC 700 for calibres up to 115 mm
- For all plastic, fibrous, collagen and natural casings
- Upgrade to optional features at any time
- Designed to be flexible – as a table-top model or on a trolley

## Application

The PDC 600 and PDC 700 semi-automatic double clippers are suitable for all sizes of operations – for small or large production runs. They close any plastic, fibrous, collagen or natural casing in diameter up to 80 mm (PDC 600) or up to 115 mm (PDC 700). Using the PDC means that all products – single portions or chains, long sausages, half rings and rings – can be produced efficiently.

## Advantages

- Can be modified when needed – modular construction
- Upgrade to optional features at any time
- High performance with a low price
- For all casings and all products

All control elements are clearly and functionally laid out on the control panel



Products with diameters up to 80 mm in diameter can be produced quickly and safely with the PDC 600

- Hygiene
  - made completely of stainless steel and industrial plastic
  - smooth surfaces make it easy to clean
- Very easy to use
- Height adjustable
- Ergonomic handle
- Adjustable filler start signal
- All control elements are placed centrally in the view of the operator
- The clip pressure is visible on a pressure gauge and can be adjusted to the product
- The speed of the punch can be adjusted to the product
- Designed for flexible use – as table-top model or on trolley
- Space-saving: trolley fits to any existing table
- Adjustable clip pressure
- Lightweight

## Optional equipment

- Manual or automatic loop-insertion (GSE) for tape-less loops
- String dispenser
- Mechanical and electrical filler-coupling
- Movable and pneumatical casing brake
- Height-adjustable trolley
- Discharge with product stop
- Swivelling unit
- Labelling System ES 4000

The clip pressure can be adjusted perfectly





Simple and safe: marking by embossed labels

### Function and operation

PDC 600 and PDC 700 semi-automatic double clippers can be placed as required in front of the filler or coupled mechanically with the filler; electrical coupling is possible in addition.

When the operator closes the handle, the filled casing is centered, separated and double-clipped. At the same time the casing can be cut either automatically via the chain control or by pressing a button. For hanging-up the sausages, tape-less loops can be inserted and clipped, either manually or automatically.

The separator is adjustable and can be adapted to any product. This ensures an attractive product appearance.



The PDC 700 closes all diameters up to 115 mm

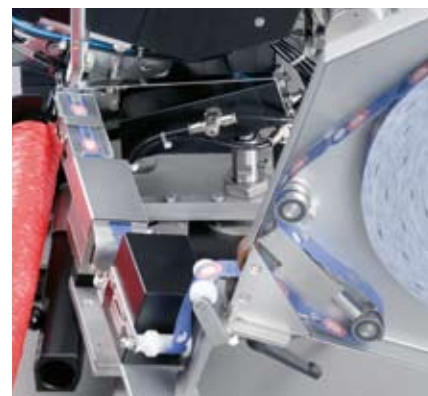
### Clip System Solutions

The complete machine, clip and loop system from one source ensures efficient, trouble-free production. The Original Clip from Poly-clip guarantees top quality. Manufactured to strictest quality standards, certified to ISO 9001:2000 and tuned precisely to the production process. The patented genuine, food-proof, safety coating using Poly-clip SAFE-COAT technology ensures trouble-free production and a no-worry product warranty. Poly-clip System is the world's leading provider of Clip System Solutions.

Labels and loops can be automatically clipped in during the closing process



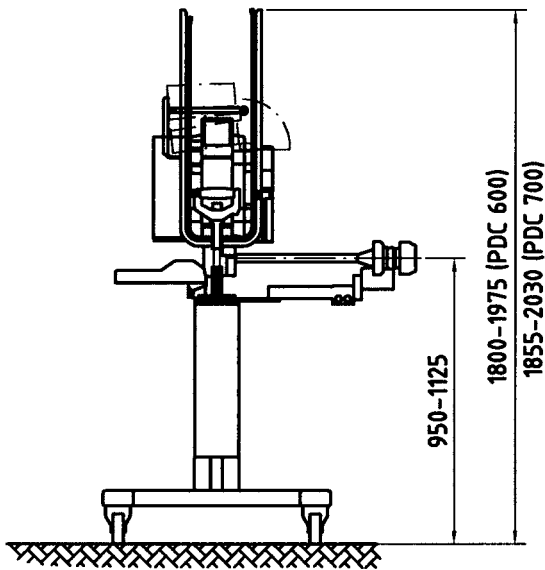
The labels can be supplied pre-printed - with individual data or as decorative label



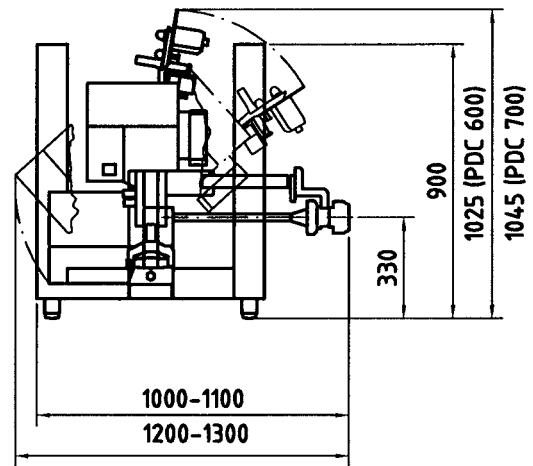
# PDC 600/700

Dimensions (in mm)

Technical data



Front view



Top view

	PDC 600 (basic machine)	PDC 700/700F (basic machine)
Width:	430 mm	430 mm
Depth:	550 mm	580 mm
Height:	1,050 mm	1,100 mm
Weight:	25 kg	30 kg
Compressed air:	5 bar/0.5 MPa	5 bar/0.5 MPa
Air consumption:	5.5 NL/cycle	14.9 NL/cycle
Suitable clip sizes:	S 625/628/632/638	S 735/740/744

PDC 600/700-GB-04/07-HA Subject to technical modifications.

